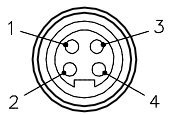
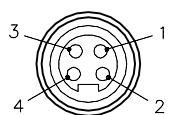
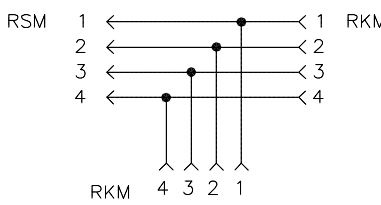
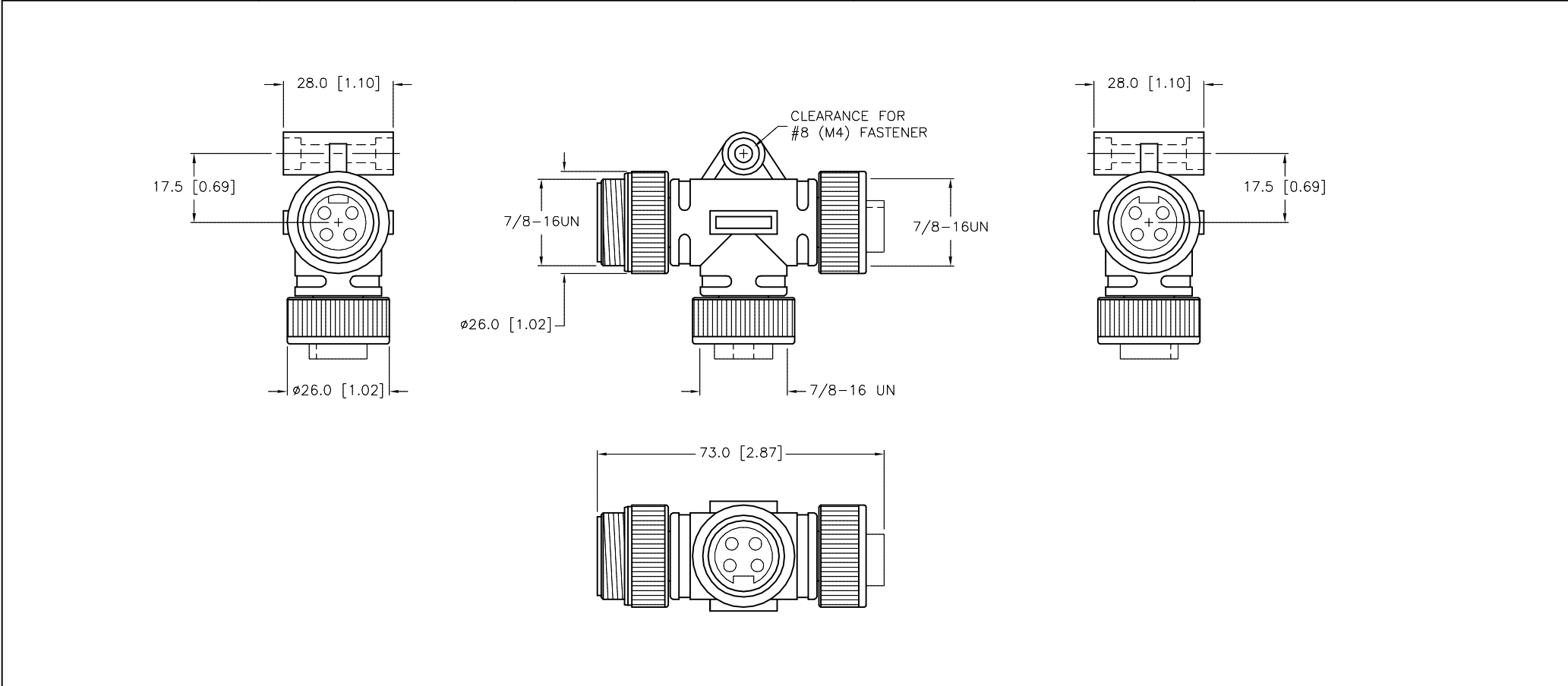



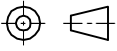
MALE END VIEW	FEMALE END VIEW	WIRING DIAGRAM	SPECIFICATIONS	
			CONTACT CARRIER MATERIAL	TPU
			MOLDED HEAD MATERIAL/COLOR	TPU/RED
			CONTACT MATERIAL/PLATING	BRASS/GOLD
			COUPLING NUT MATERIAL/PLATING	BRASS/NICKEL
			RATED CURRENT [A]	9.0 A
			RATED VOLTAGE [V]	250 V
			TEMPERATURE RATING	-40°C TO +80°C (-40°F TO +176°F)
			PROTECTION CLASS	MEETS NEMA 1,3,4,6P AND IEC IP67



SOURCE DRAWING - FOR REFERENCE ONLY

NOTES:

1. "/S1055" DESIGNATES RED MOLDED PLUG BODY.

RELATED DOCUMENTS		3RD ANGLE PROJECTION		THIS DRAWING IS CONFIDENTIAL AND THE PROPERTY OF TURCK INC. USE OF THIS DOCUMENT WITHOUT WRITTEN PERMISSION IS PROHIBITED.		 3000 CAMPUS DRIVE MINNEAPOLIS, MN 55441 1-800-544-7769 (763) 553-7300 (763) 553-0708 fax turck.com	
1. 2. 3. 4.				DRFT	KMY	DATE	04/07/14
MATERIAL		ALL DIMENSIONS DISPLAYED ON THIS DRAWING ARE FOR REFERENCE ONLY		APVD	E.S.	SCALE	1=1.5
SEE SPECIFICATIONS		CONTACT TURCK FOR MORE INFORMATION		UNIT OF MEASUREMENT		DESCRIPTION	
FINISH		SEE SPECIFICATIONS		MILLIMETER [INCH]		RSM-2RKM 40/S1055	
A		DRAWING RELEASE		DO NOT SCALE THIS DRAWING		IDENTIFICATION NO.	
KMY		04/24/14		FILE: U2-22939		REV	
BY		DATE		SHEET 1 OF 1		A	
ECO NO.							